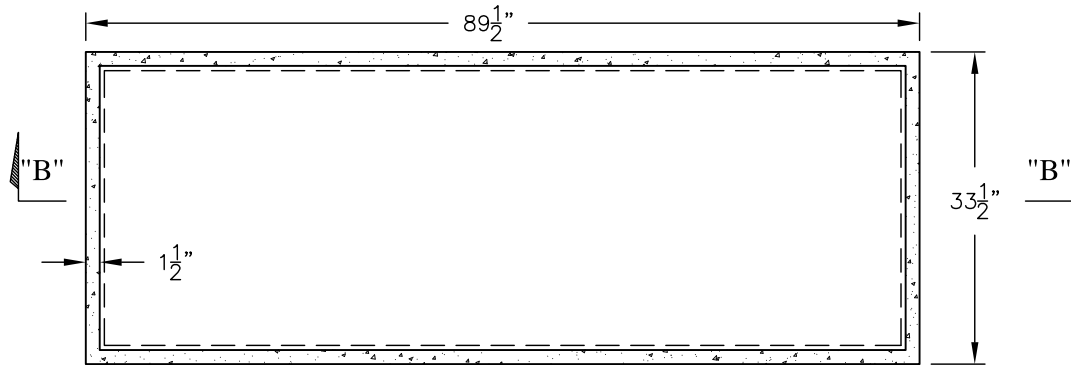
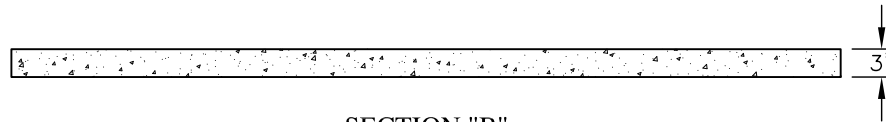


**SPECIFICATIONS**

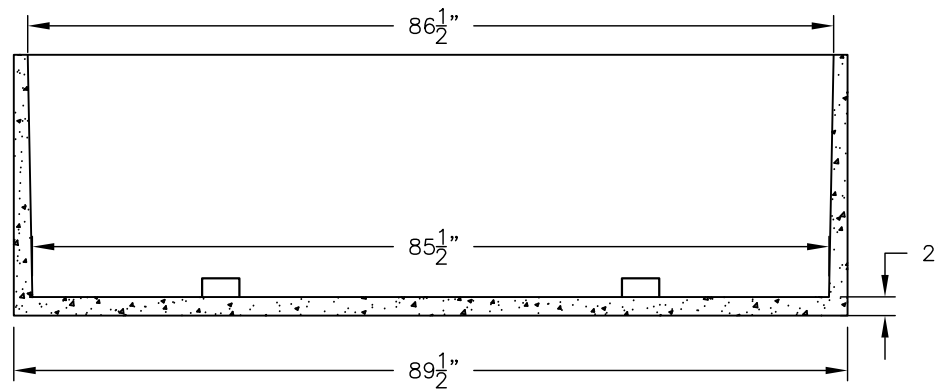
**CONCRETE** - 6000 PSI minimum in 28 days.  
**REINFORCEMENT** - 2X4 12 gauge ASTM A185 65 KSI plain finish cont. around perimeter of box, #3 bars (Grade 60) rebar, per engineering spec. as required for boxes design.  
**LID REINFORCEMENT** - #3 rebar 6" center, both ways plus a mat on 2X4 12 gauge wire.



TOP VIEW

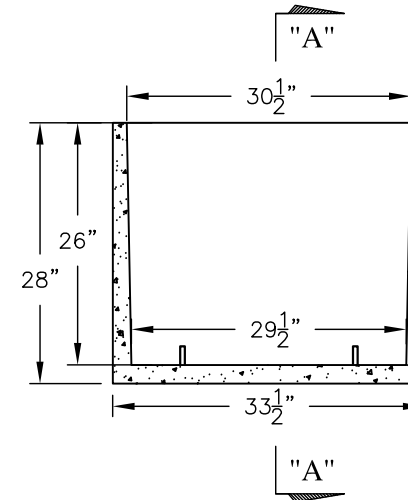


SECTION "B"  
CONCRETE GRAVE LID



FRONT VIEW  
 SECTION "A"

CONCRETE GRAVE BODY



RIGHT SIDE VIEW

WWW.TEXASPRECAST.NET

TOLL FREE: 800-633-3235  
 PHONE: 409-925-2502

**TEXAS PRECAST, L.L.C.**

18303 HIGHWAY 6  
 SANTA FE, TEXAS 77510

**MODEL**  
**MINIMAL CONCRETE GRAVE LINER**